

Selection Form

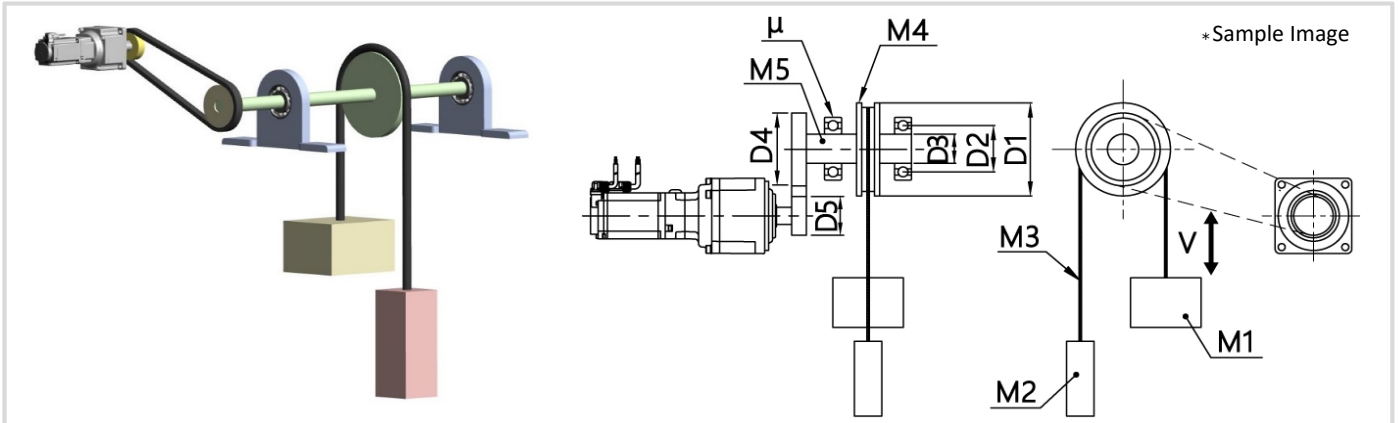
Lifter(Elevator)

Requested Date: _____

Please check "✓" the corresponding item in . If you are unable to make a selection, please leave it blank.

Select Series and Backlash of High Precision Reducer for Servo Motor

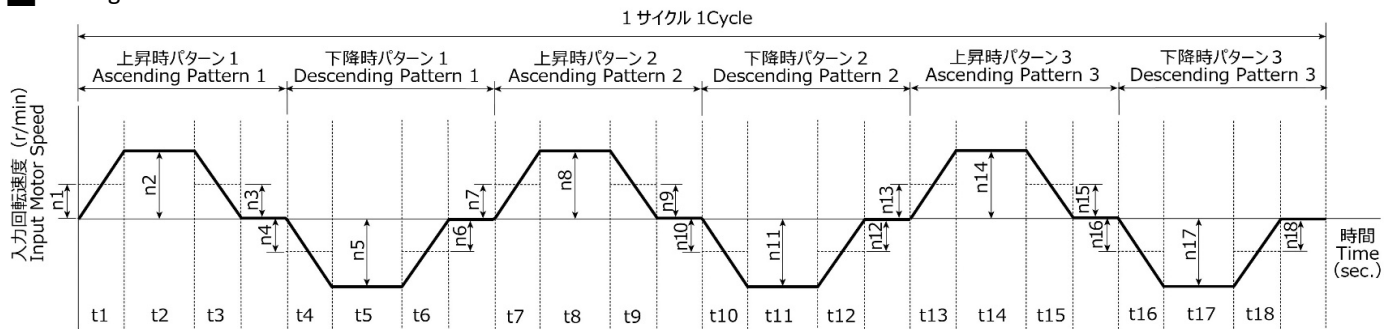
- Series → Compact Parallel Shaft • Planetary Type (APG) Compact Hollow Shaft Type (AFC) Compact Solid Shaft Type (AFC)
- Backlash → 3 arcmin 15 arcmin 3 arcmin 30 arcmin 3 arcmin 30 arcmin
- Series → Hollow Shaft Type (AF3) Solid Shaft Type (AF3) Parallel Shaft Type (AG3) Right Angle Shaft (AH2)
- Backlash → 1 arcmin 3 arcmin 1 arcmin 3 arcmin Low Backlash Low Backlash
- Low Backlash Low Backlash * Low Backlash (30 to 60 arcmin) accuracy would be different by reduction ratio.
- Requested Model (_____) * If you already know the model number, please enter that in (_____).



User Condition

- Elevating Speed $v =$ mm/s
- Weight of the Work $M1 =$ kg
- Weight of the Balancing Weight $M2 =$ kg
- Weight of the Chain (Wire) $M3 =$ kg
- Weight of the Sprocket (Timing Pulley) $M4 =$ kg
- Weight of the Rotating Shaft $M5 =$ kg
- P.C.D. of the Sprocket (Timing Pulley) $D1 =$ mm
- Pitch Circle Diameter of the Rolling Element Bearing $D2 =$ mm
- Outer Diameter of the Rotating Shaft $D3 =$ mm
- P.C.D. of Driven Side Sprocket (Timing Pulley, Gear) $D4 =$ mm
* Not required for direct coupling
- P.C.D. of Drive Side Sprocket (Timing Pulley, Gear) $D5 =$ mm
* Not required for direct coupling
- Friction Coefficient of the Bearing $\mu =$
- Rated Rotational Speed of Servo Motor $N1 =$ r/min
- Other User Condition

Driving Pattern and Condition



- Ascending Pattern 1
 - Acceleration Time 1 $t1 =$ sec.
 - Constant Speed Time 1 $t2 =$ sec.
 - Deceleration Time 1 $t3 =$ sec.
 - Enter Rotational Speed (Acceleration) 1 $n1 =$ r/min (Enter Average Rotational Speed)
 - Enter Rotational Speed (Constant Speed) 1 $n2 =$ r/min
 - Enter Rotational Speed (Deceleration) 1 $n3 =$ r/min (Enter Average Rotational Speed)
- Descending Pattern 1
 - Acceleration Time 2 $t4 =$ sec.
 - Constant Speed Time 2 $t5 =$ sec.
 - Deceleration Time 2 $t6 =$ sec.
 - Enter Rotational Speed (Acceleration) 2 $n4 =$ r/min (Enter Average Rotational Speed)
 - Enter Rotational Speed (Constant Speed) 2 $n5 =$ r/min
 - Enter Rotational Speed (Deceleration) 2 $n6 =$ r/min (Enter Average Rotational Speed)

● Ascending Pattern 2

Acceleration Time 3 t7 = sec.
 Constant Speed Time 3 t8 = sec.
 Deceleration Time 3 t9 = sec.
 Enter Rotational Speed (Acceleration) 3 n7 = r/min (Enter Average Rotational Speed)
 Enter Rotational Speed (Constant Speed) 3 n8 = r/min
 Enter Rotational Speed (Deceleration) 3 n9 = r/min (Enter Average Rotational Speed)

● Descending Pattern 2

Acceleration Time 4 t10 = sec.
 Constant Speed Time 4 t11 = sec.
 Deceleration Time 4 t12 = sec.
 Enter Rotational Speed (Acceleration) 4 n10 = r/min (Enter Average Rotational Speed)
 Enter Rotational Speed (Constant Speed) 4 n11 = r/min
 Enter Rotational Speed (Deceleration) 4 n12 = r/min (Enter Average Rotational Speed)

● Ascending Pattern 3

Acceleration Time 5 t13 = sec.
 Constant Speed Time 5 t14 = sec.
 Deceleration Time 5 t15 = sec.
 Enter Rotational Speed (Acceleration) 5 n13 = r/min (Enter Average Rotational Speed)
 Enter Rotational Speed (Constant Speed) 5 n14 = r/min
 Enter Rotational Speed (Deceleration) 5 n15 = r/min (Enter Average Rotational Speed)

● Descending Pattern 3

Acceleration Time 6 t16 = sec.
 Constant Speed Time 6 t17 = sec.
 Deceleration Time 6 t18 = sec.
 Enter Rotational Speed (Acceleration) 6 n16 = r/min (Enter Average Rotational Speed)
 Enter Rotational Speed (Constant Speed) 6 n17 = r/min
 Enter Rotational Speed (Deceleration) 6 n18 = r/min (Enter Average Rotational Speed)

● Other Driving Pattern and Driving Condition

■ Planned Servo Motor to Use * If you planned to use specific Sevo Motor, please write here. (Model, Series , Specification etc...)

■ Customer Information

CS center Technical Support Desk
 E-mail : tech-cs@nissei-gtr.co.jp

Company Name <input style="width: 95%;" type="text"/>	Address <input style="width: 95%;" type="text"/>
Department <input style="width: 95%;" type="text"/>	
Job Title <input style="width: 95%;" type="text"/>	Phone Number <input style="width: 95%;" type="text"/>
Name <input style="width: 95%;" type="text"/>	FAX Number <input style="width: 95%;" type="text"/>
E-mail <input style="width: 95%;" type="text"/>	
Purpose of Selection <input type="checkbox"/> New Facility <input type="checkbox"/> Replacement <input type="checkbox"/> Change model <input type="checkbox"/> Others{ <input type="text"/> }	
Type of Industry <input type="checkbox"/> Conveyor <input type="checkbox"/> Food Processing Machine <input type="checkbox"/> Machine for Agriculture or Fisheries <input type="checkbox"/> Tooling Machine <input type="checkbox"/> Packaging Machine <input type="checkbox"/> Printing • Paper Converting Machine <input type="checkbox"/> Special Machine <input type="checkbox"/> Construction Machine <input type="checkbox"/> Electrical and Electric Equipment <input type="checkbox"/> Medical Equipment <input type="checkbox"/> Design Office <input type="checkbox"/> Trading Company <input type="checkbox"/> Others{ <input type="text"/> }	

Notice Please note that we may send you separate message after registering your information we have obtained through customer inquiries.
 Please let us know anytime if you want us to delete your information from our system.